

GURMARIN PROPELLER INFORMATION FORM

DATE:

ENQUIRY ORDER INFORMATION (Please tick what applies)

I. Your information:

- 1. Organization :
- 2. Name Mr / Mrs :
- 3. Address :
- 4. Postal Code and City :
- 5. Country :
- 6. Telephone number :
- 7. Fax number :
- 8. E-mail address :

II. Schip details:

- 1. Type of ship :
- Displacement Semi-planing Planing
 Single propeller Double propeller Nozzle
- 2. Built of: Steel Wood Aluminium G.R.P.
- 3. Length :
- Over all : L.o.a.m - On the waterline : L.w.l.m
- 4. Weight :kg

III. Engine details:

- 1. Make : Type :
- 2. Engine Power (according to factory data): kW hp @ r.p.m.
- 3. Make and Type gearbox:
- 4. Gear ratio gearbox: : 1 (forward)

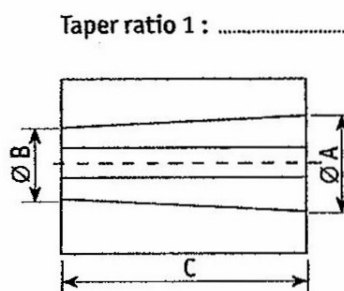
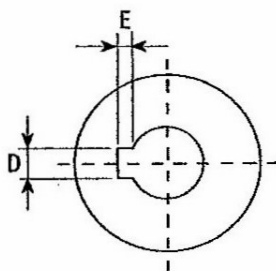
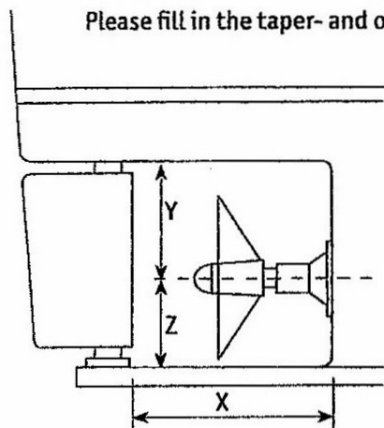
IV. Maximum Vessel speed:

- 1. Expected speed? Knots km/h

V. New Propeller details:

- Maximum propeller diameter :mm (Note: min. bladetip clearance is 20% of the propeller diameter)
- Number of blades : Blade area ratio (B.A.R)
- Rotation: Right handed Left handed
- Material: Manganese-Bronze Nickel-Aluminium-Bronze Stainless Steel

Please fill in the taper- and other measurements using the fields and drawings below:



- Taper ratio 1 :
- A = Ømm
- B = Ømm
- C =mm
- D =mm
- E =mm
- X =mm
- Y =mm
- Z =mm

If possible, please attach a drawing of the rear part of the ship.

Remarks / questions:

GÜRMARİN PERVANE MÜH. SAN. VE TİC. LTD. ŞTİ.

İMES SAN. SİT. E BLOK 503 Street NO: 27

PHONE: +90216 527 71 17 FAX: +90216 527 7113 MAIL: gurmarin@gmail.com